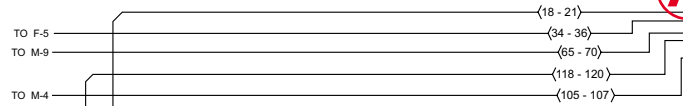


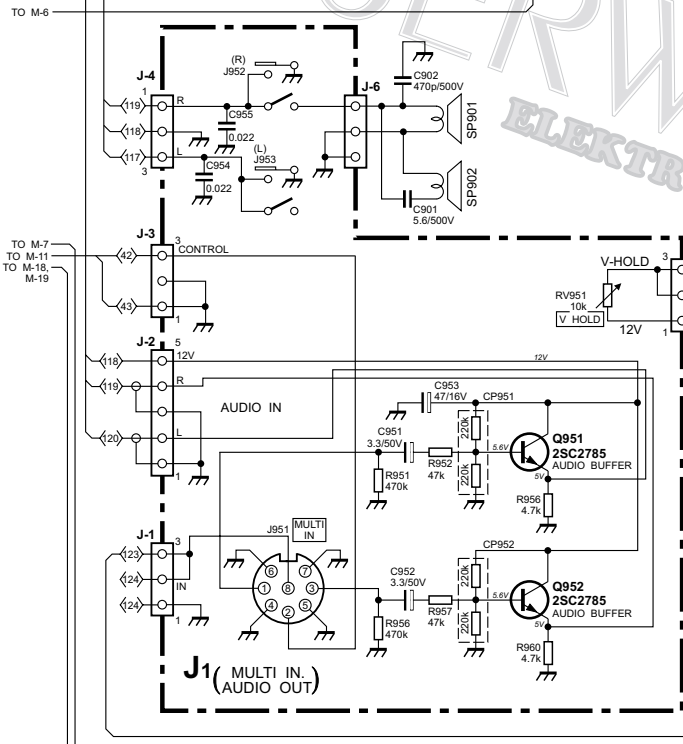
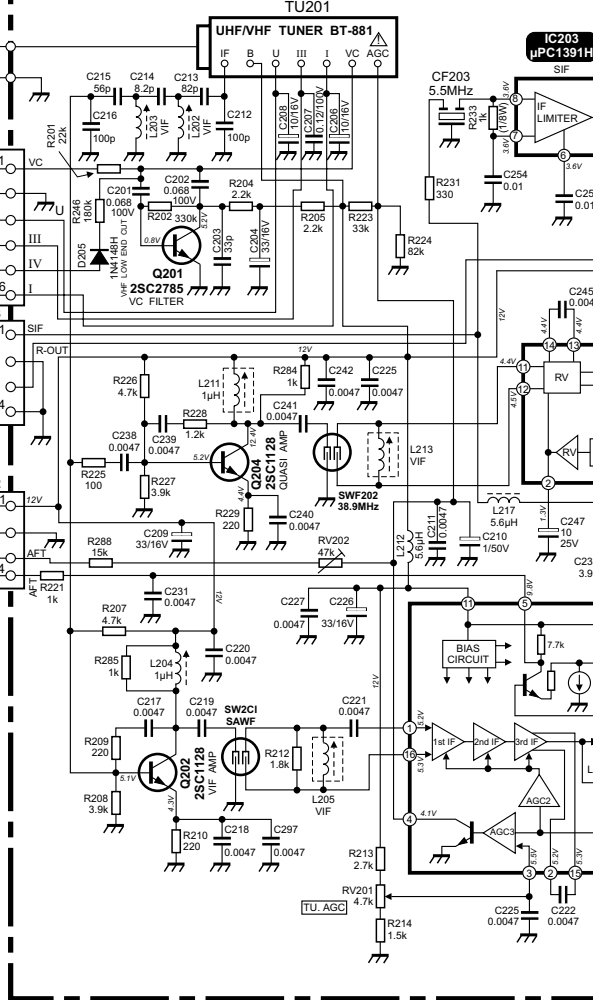
1

1

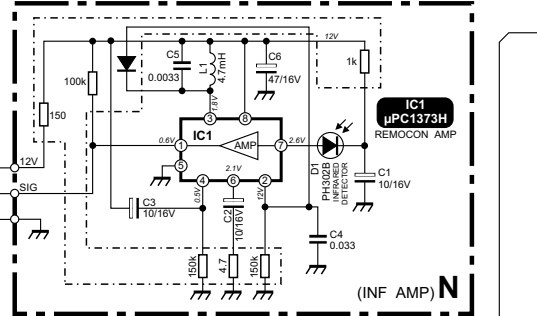


ANTENNA TERMINAL

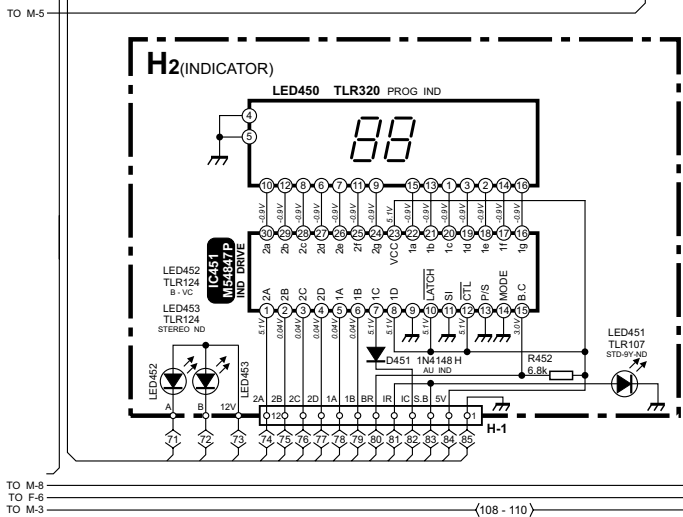
A (VIF, SIF, CHROMA, QUASI, IF, TONE CTL, INPUT SW, AF OUT)



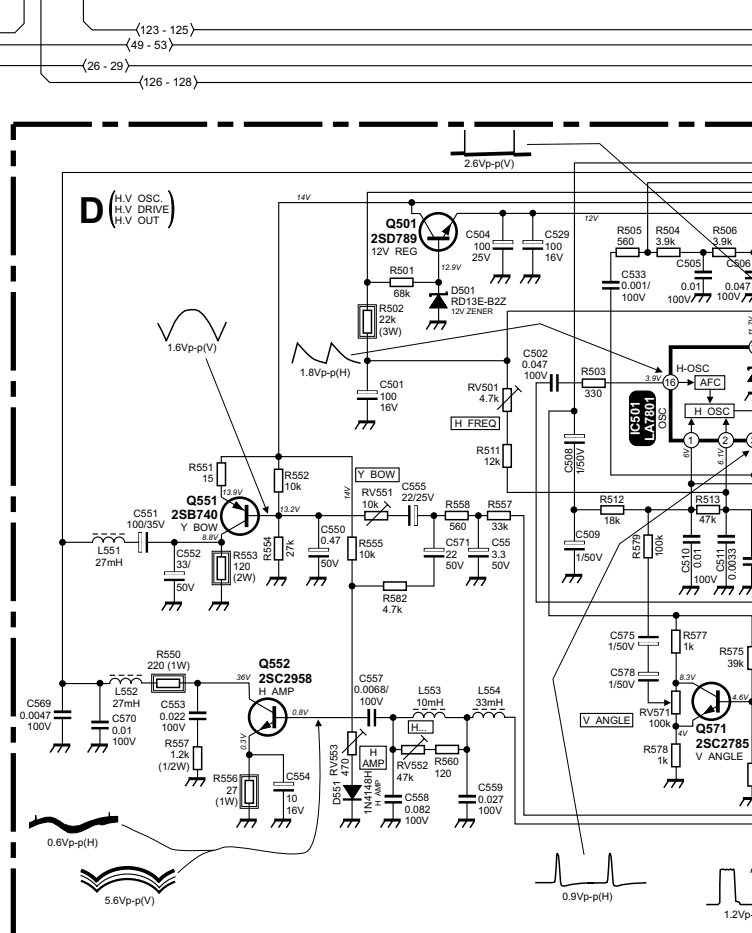
1



(INF AMP) N

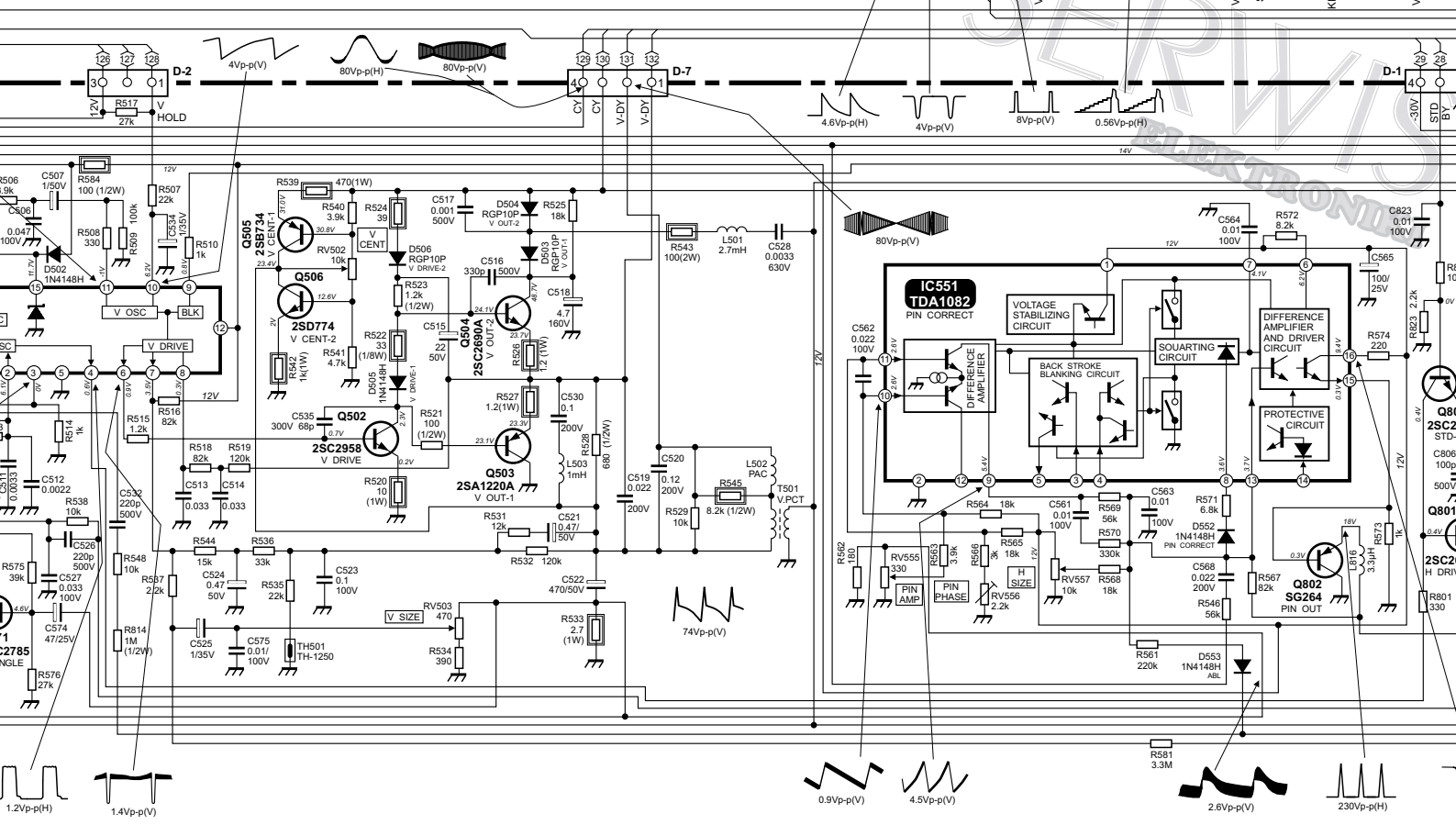
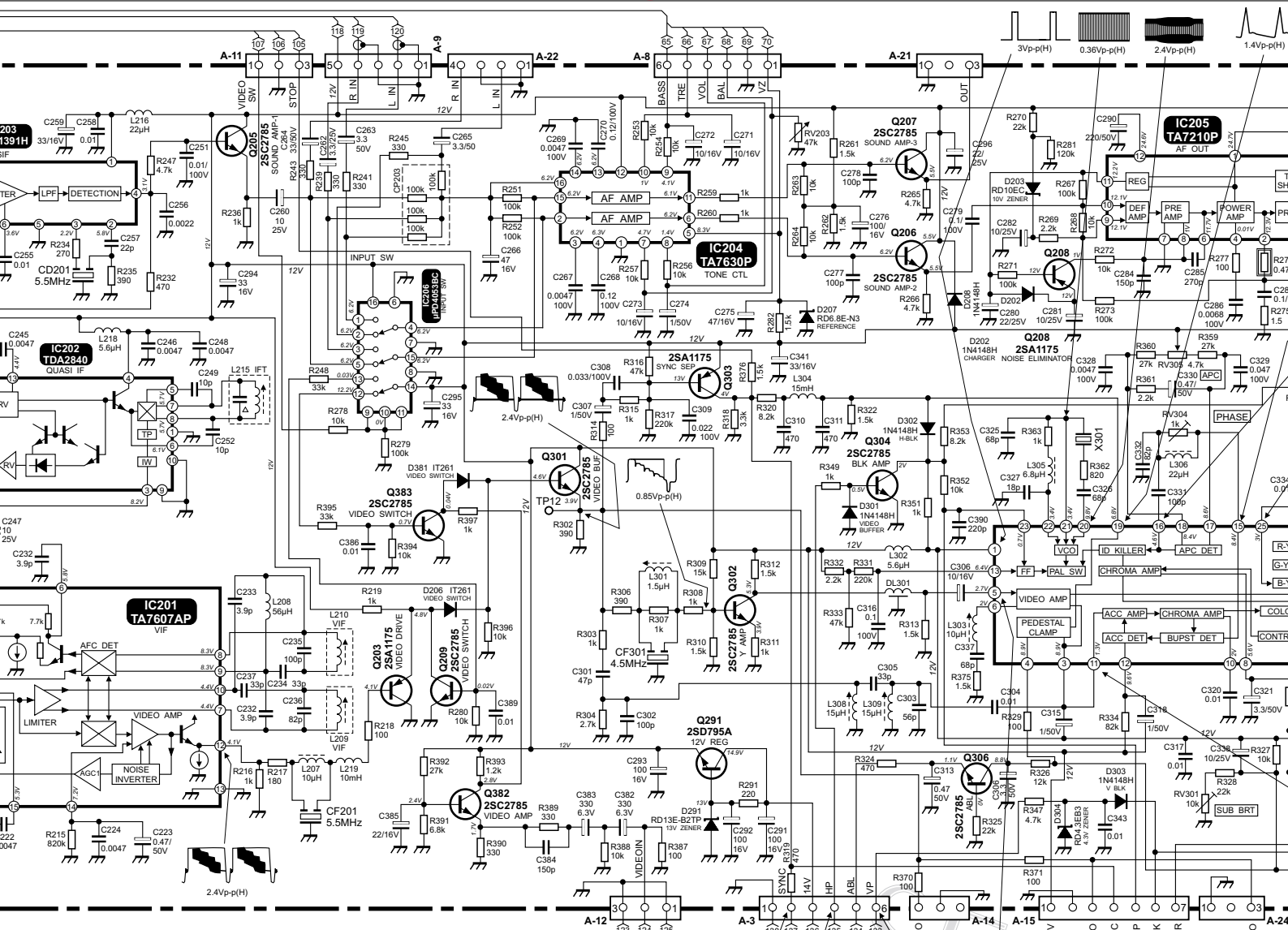


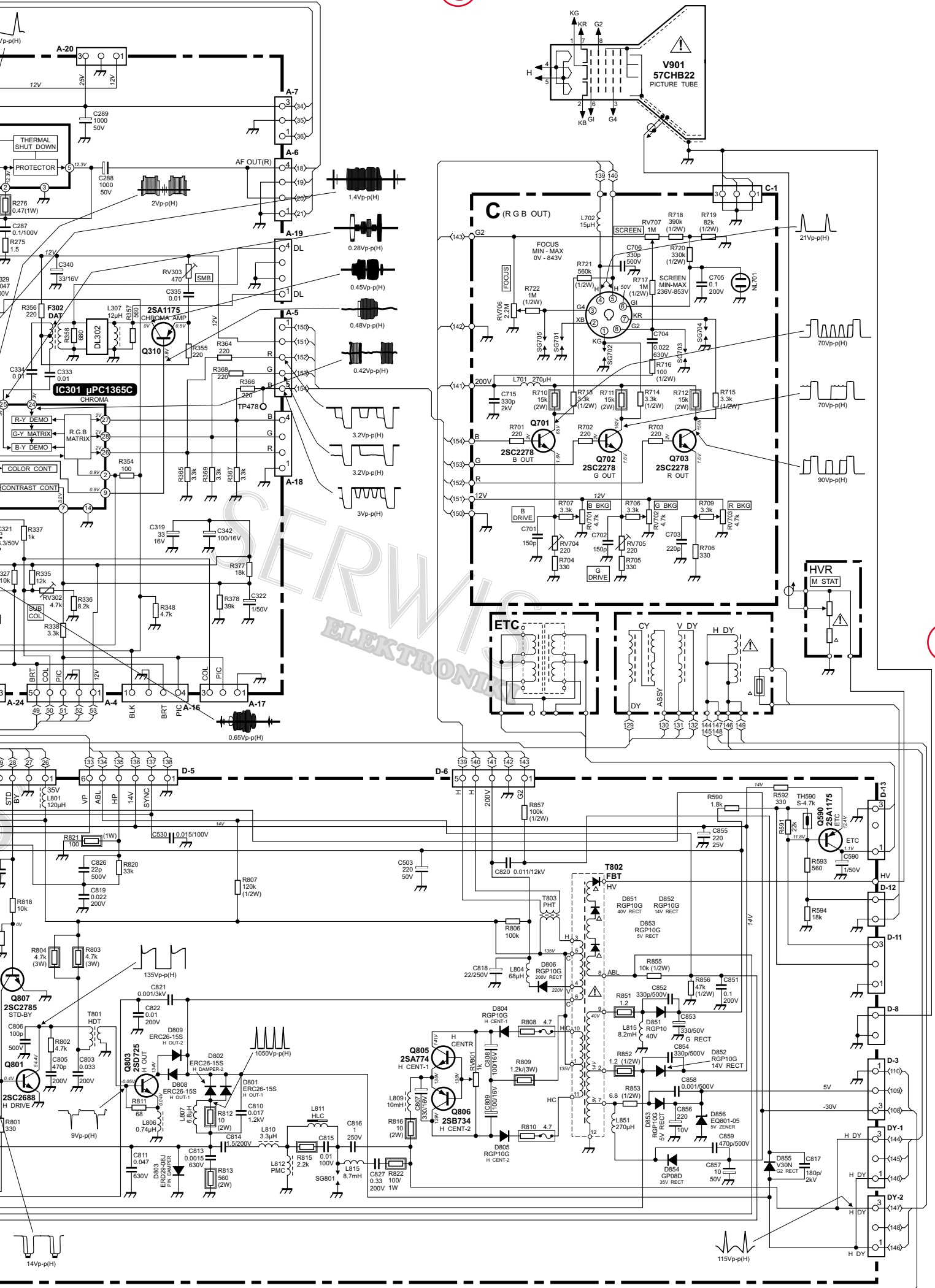
(108 - 110)



D (H.V. OSC. H.V. DRIVE H.V. OUT)





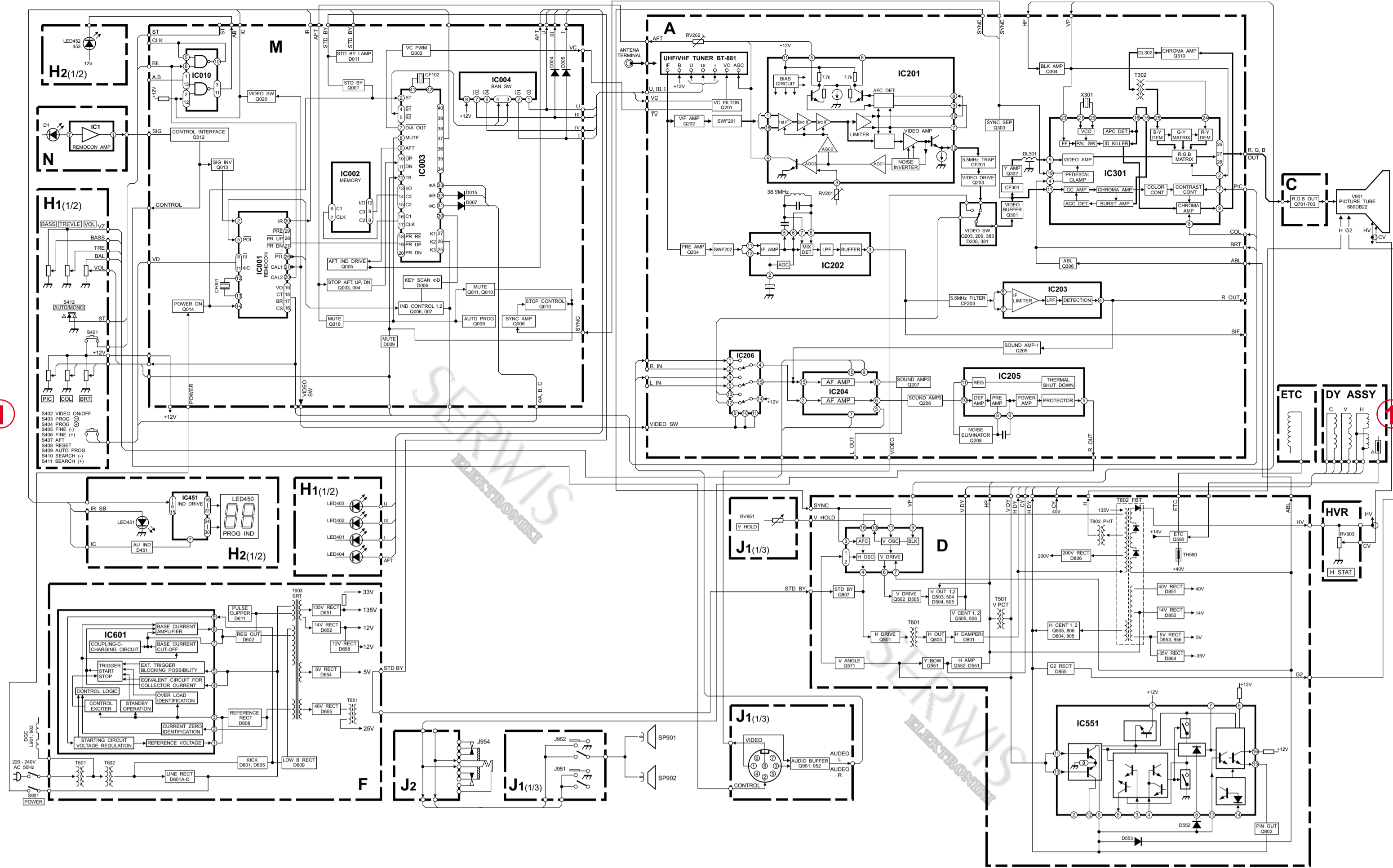




# OTVC Sony KV2212E chassis YE2

A

B



1

1

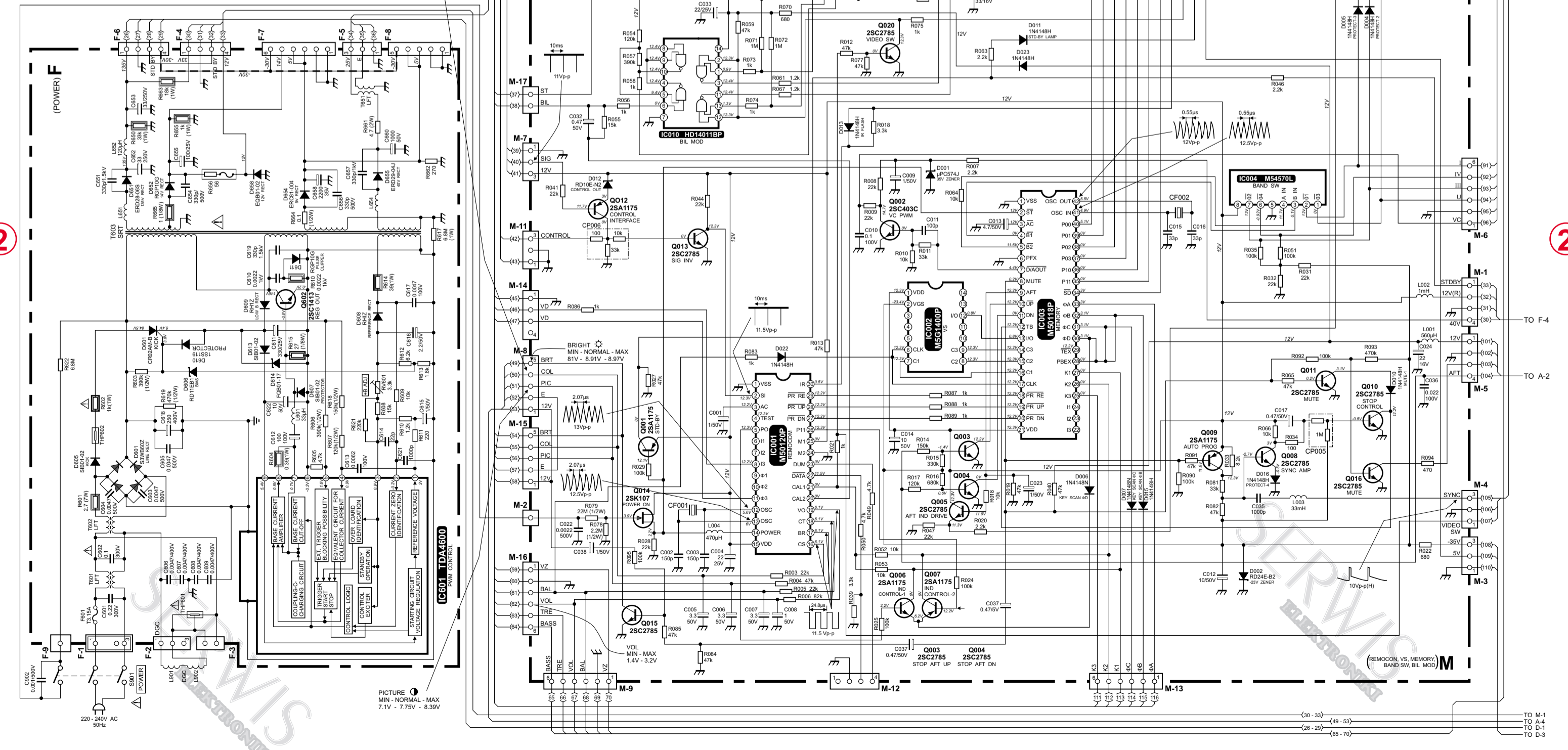
**Note:** The components identified by shading and mark  $\Delta$  are critical for safety. Replace only with part number specified.

- All capacitors are in  $\mu\text{F}$  unless otherwise noted. p:  $\mu\text{pF}$  50WV or less are not indicated except for electrolytics.
- All resistors are in Ohms, 1/4W unless otherwise noted. K1: 1000K, M1: 1000K $\Omega$ .
- All variable and adjustable resistors have characteristic  $\Delta$ .
- $\Delta$ : nonflammable resistor.
- $\Delta$ : fusible resistor.
- $\Delta$ : internal component.
- $\Delta$ : panel designation.
- Volleges are dc with respect to ground unless otherwise noted.
- Readings are taken with a 10M $\Omega$  digital multimeter.
- Readings are taken with a color-bar signal input.
- Diagrams on H2 and M boards are taken under conditions:
  - The channel 1 is selected.
  - VOLUME control is set to no sound position.
  - PICTURE control is set to the first stage.
  - (The first stage is the condition when the POWER switch sets to ON).
- Waveform on M board is taken with controls set to the first stage.
- Stage variations may be noted due to normal production tolerances.

COLOR  $\text{\textcircled{C}}$   
MIN - NORMAL - MAX  
5.16V - 5.65V - 6.17V

2

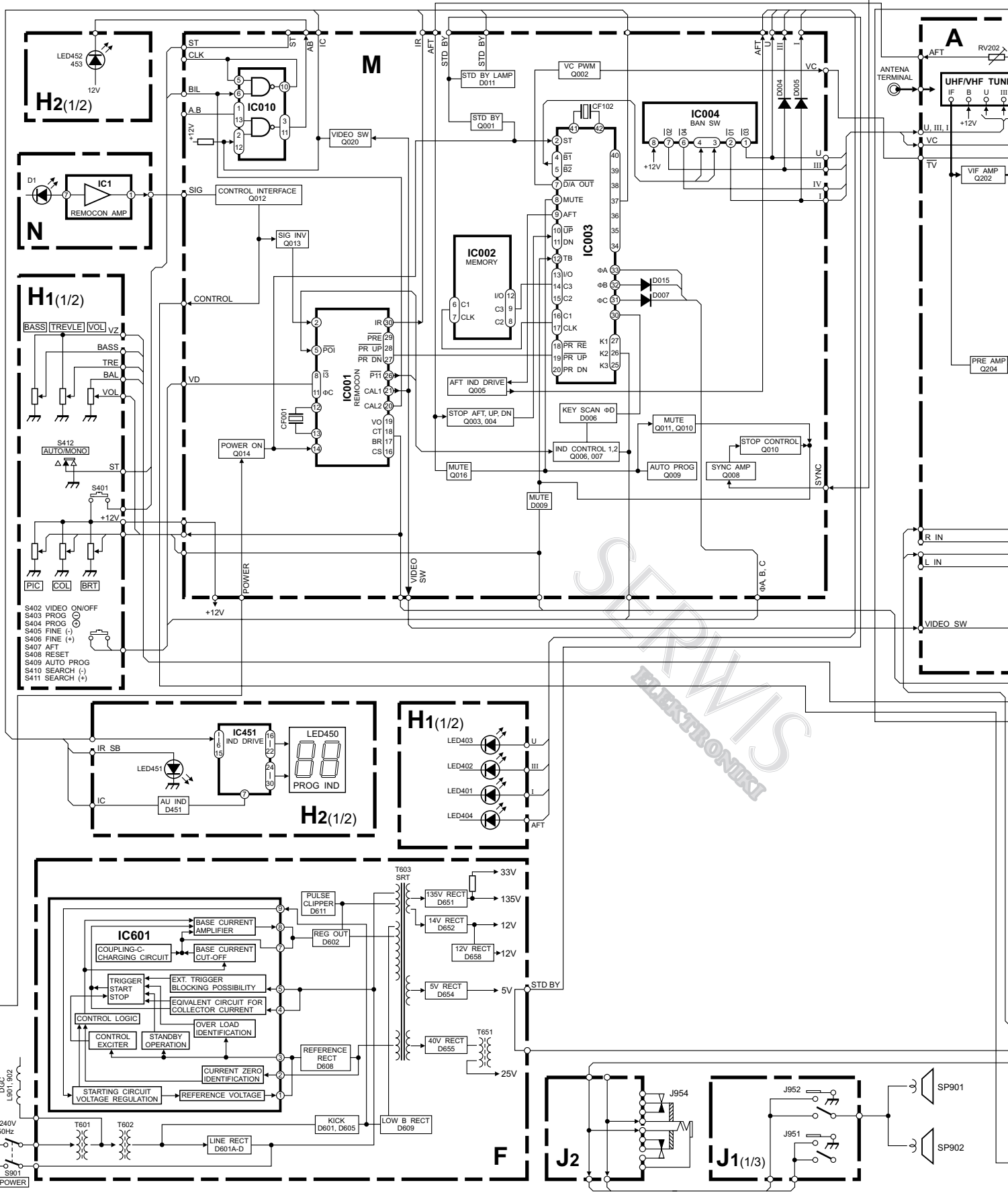
2



A

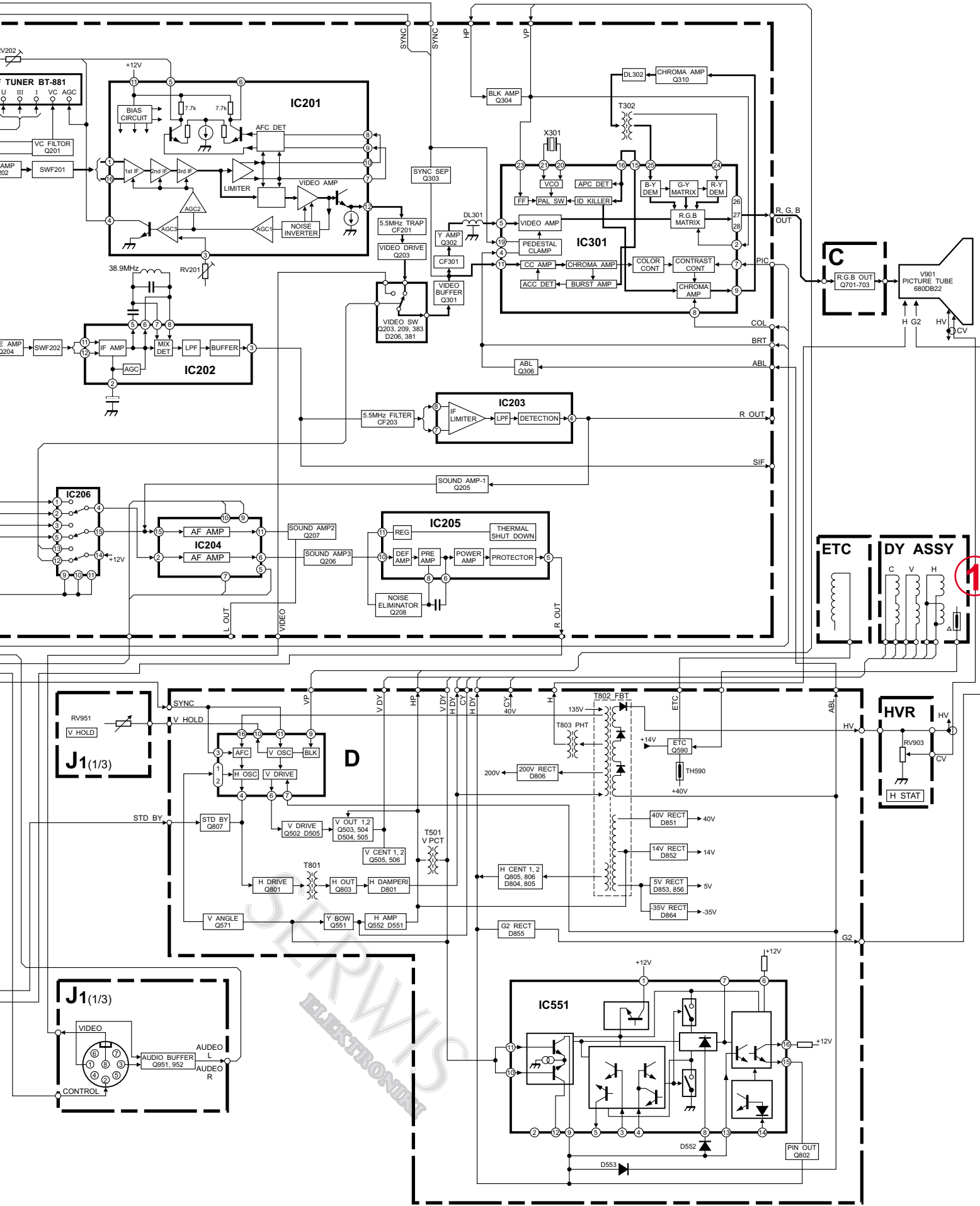
B

# OTVC Sony KV2212E chassis YE2



1

SERWIS ELEKTRONIS

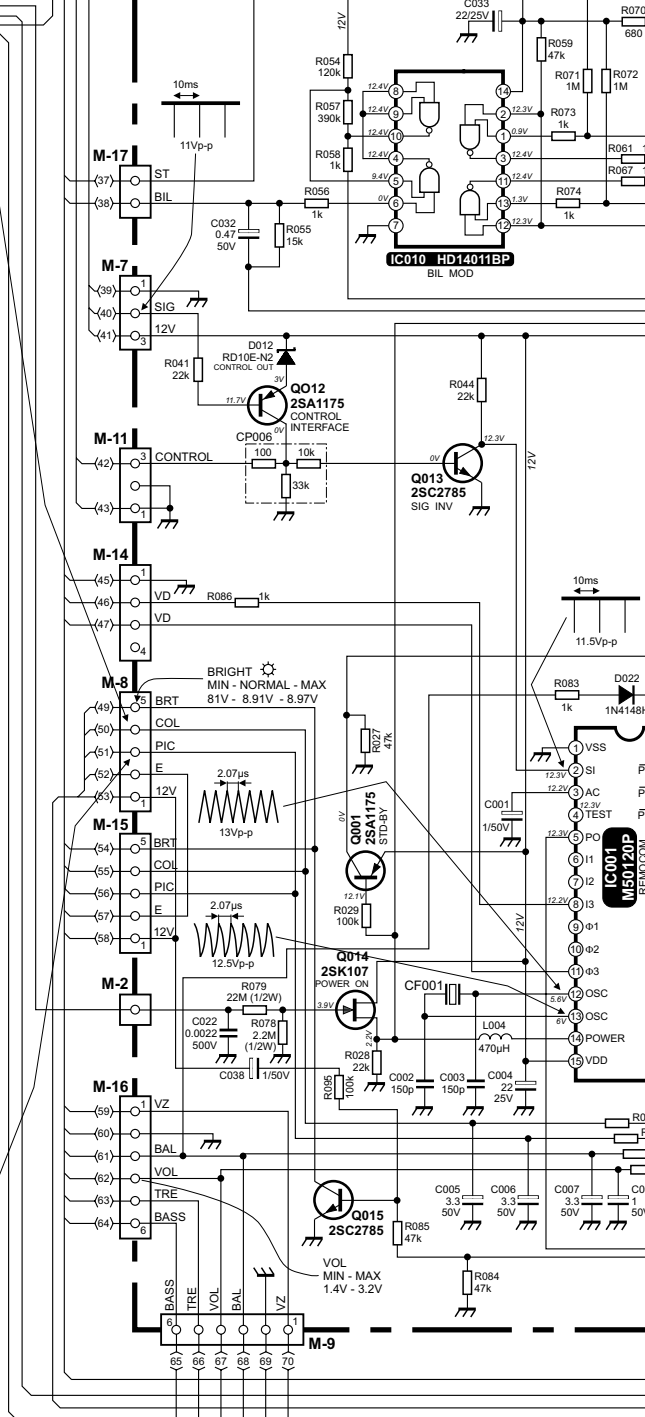
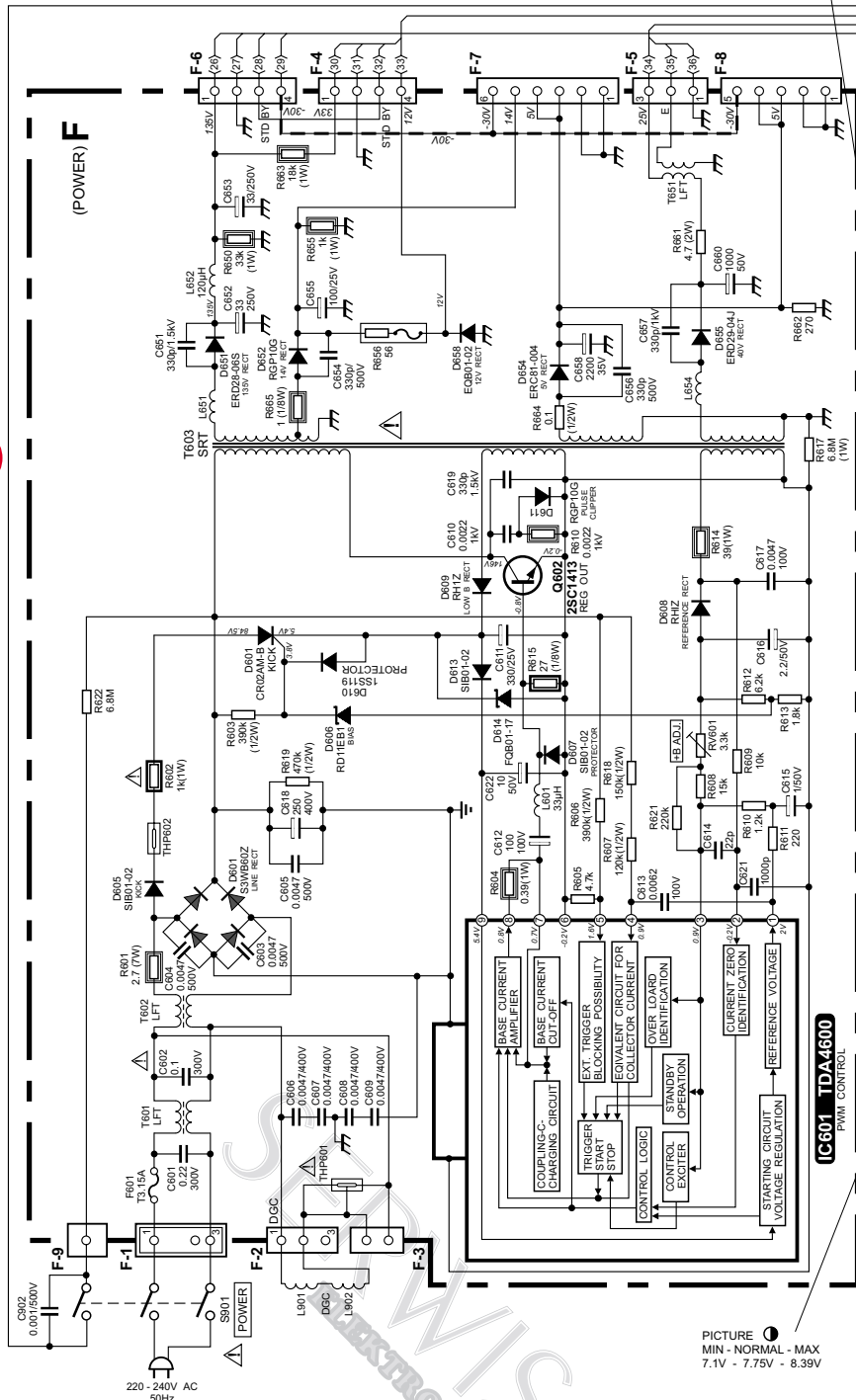




Note : The components identified by shading and mark  $\triangle$  are critical for safety. Replace only with part number specified.

**Note :**

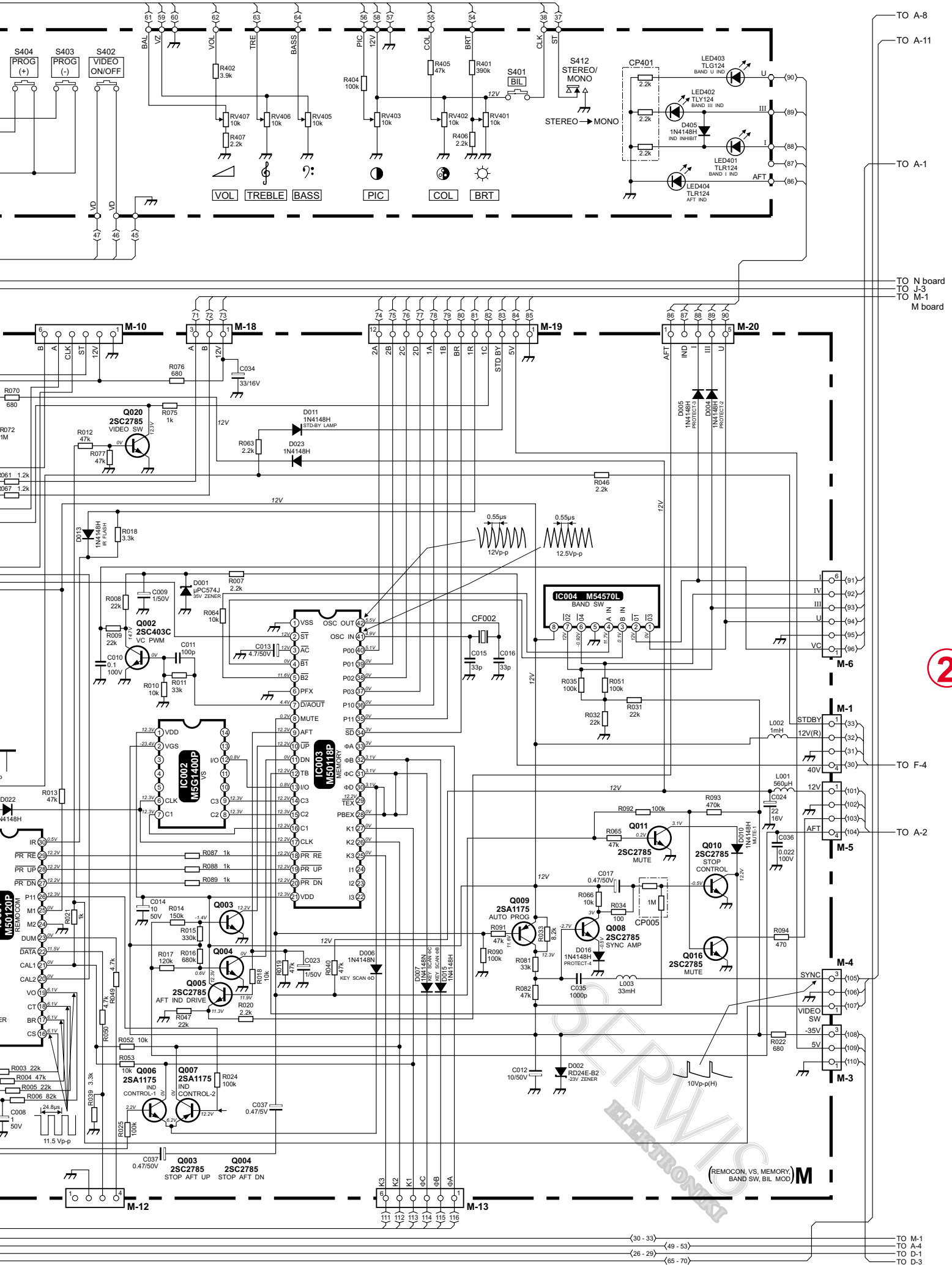
- All capacitors are in  $\mu\text{F}$  unless otherwise noted, p : pJf 50WV or less are not indicated except for electrolytics.
- All resistors are in Ohms, 1/4W unless otherwise noted. k $\Omega$  : 1000 $\Omega$ , M $\Omega$  : 1000k $\Omega$ .
- All variable and adjustable resistors have characteristic curve B, unless otherwise noted.
- $\square$  : nonflammable resistor.
- $\square$  : fusible resistor.
- $\square$  : internal component.
- $\square$  : panel designation.
- Voltages are dc with respect to ground unless otherwise noted.
- Readings are taken with a 10M $\Omega$  digital multimeter.
- Readings are taken with a color - bar signal input.
- Voltages on H2 and M1 boards are taken under conditions below.
  - The channel 1 is selected.
  - VOLUME controls is set to no sound position.
  - PICTURE control is set to the first stage. (The first stage is the condition when the POWER switch sets to ON.)
  - Waveform on M board is taken with controls set to the first stage.
  - Voltage variations may be noted due to normal production tolerances.



2



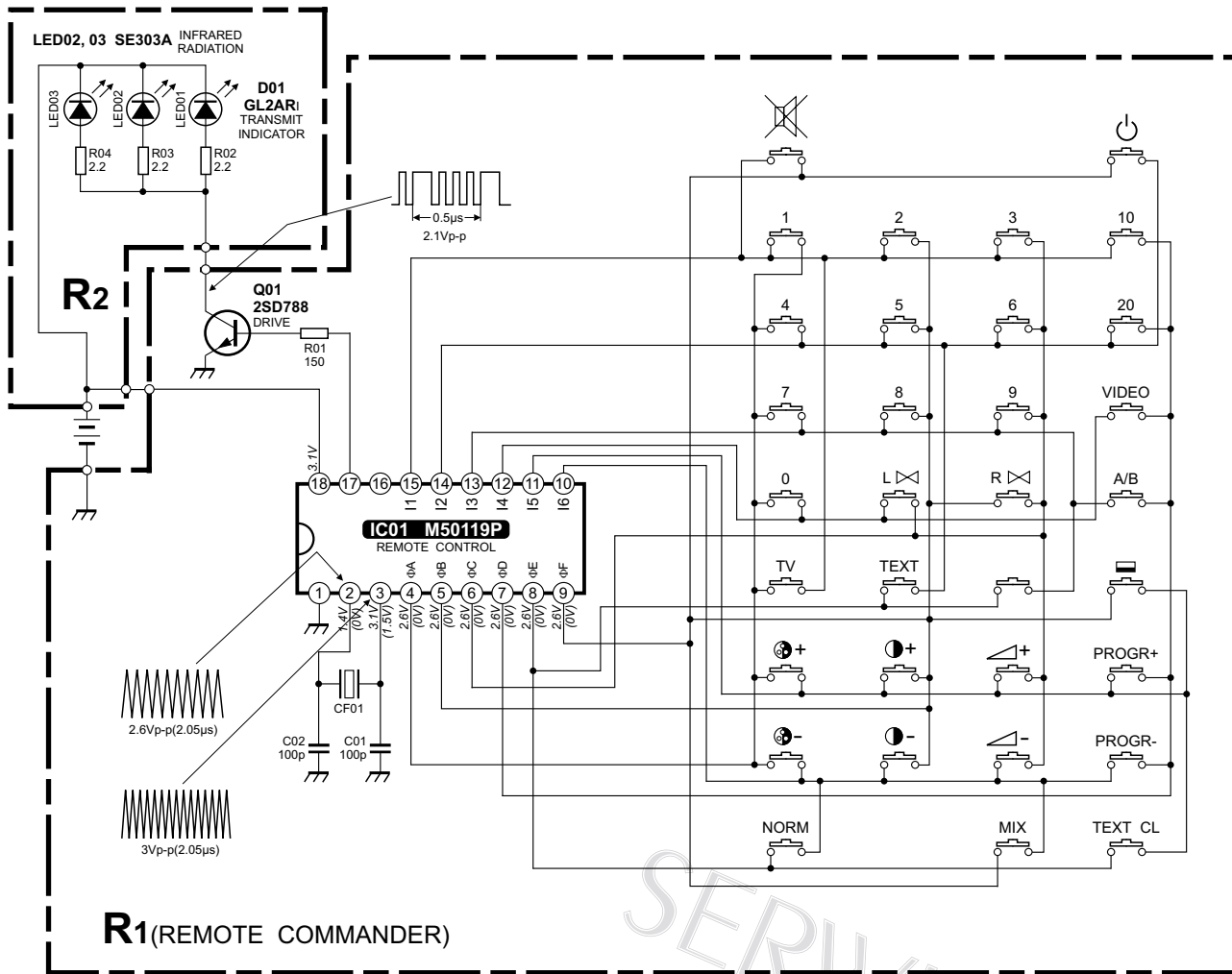




2

TO A-8  
 TO A-11  
 TO A-1  
 TO N board  
 TO J-3  
 TO M-1  
 M board  
 TO F-4  
 TO A-2  
 TO M-5  
 TO M-4  
 TO M-3  
 TO M-1  
 TO A-4  
 TO D-1  
 TO D-3

# OTVC Sony KV2212E chassis YE2

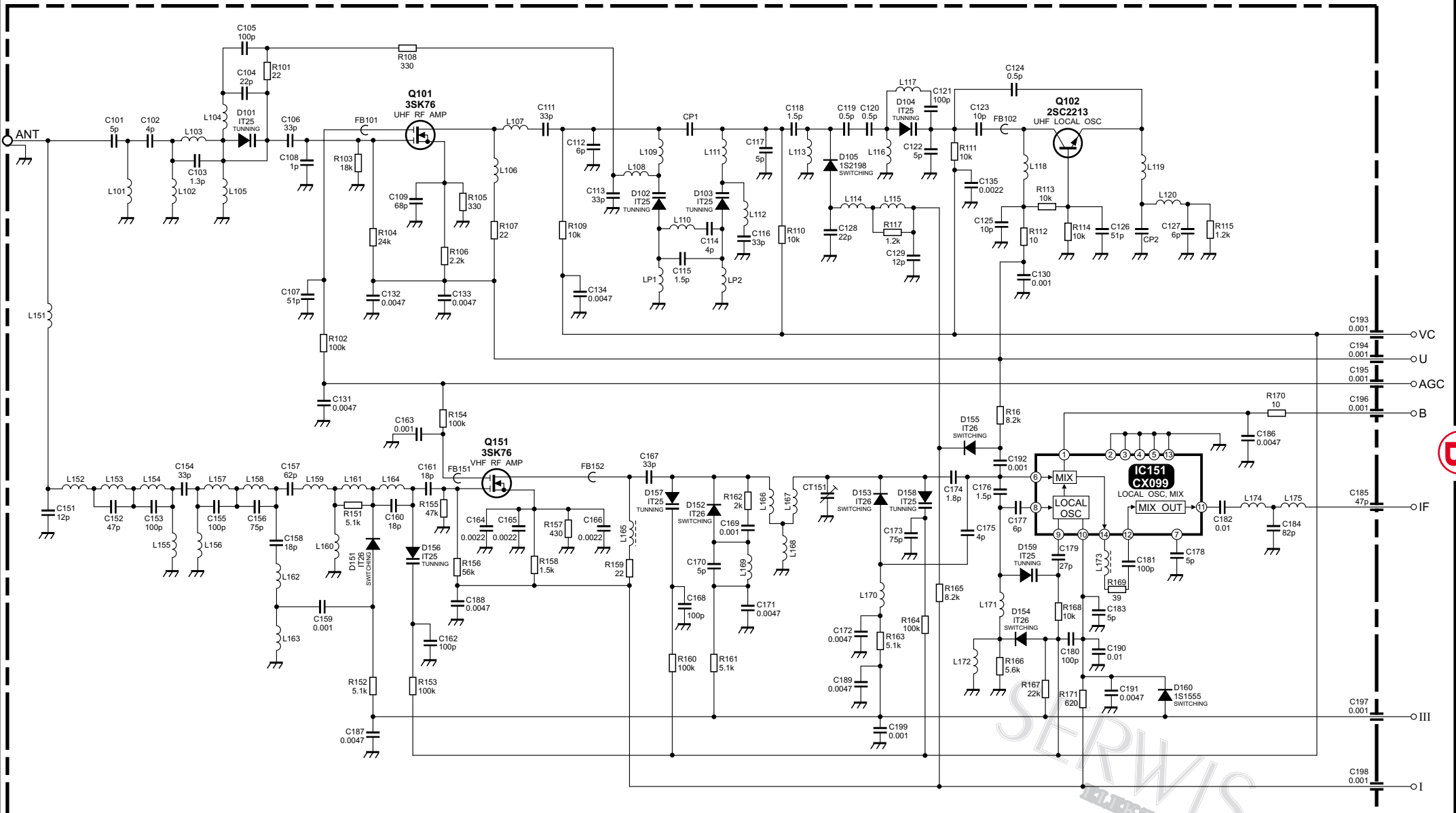


MODE	IC PIN	I0	I1	I2	I3	I4	I5	I7	Q01 B	Q01 C
⏻		3.1	3.1	3.1	3.1	2.6	3.1	0	0	2.4
⏪		3.1	3.1	3.1	3.1	3.1	2.6	0	0	2.4
1		3.1	3.1	3.1	3.1	3.1	2.6	0	0	2.4
2		3.1	3.1	3.1	3.1	3.1	2.6	0	0	2.4
3		3.1	3.1	3.1	3.1	3.1	2.6	0	0	2.4
4		3.1	3.1	3.1	3.1	2.6	3.1	0	0	2.4
5		3.1	3.1	3.1	3.1	2.6	3.1	0	0	2.4
6		3.1	3.1	3.1	3.1	2.6	3.1	0	0	2.4
7		3.1	3.1	3.1	2.6	3.1	3.1	0	0	2.4
8		3.1	3.1	3.1	2.6	3.1	3.1	0	0	2.4
9		3.1	3.1	3.1	2.6	3.1	3.1	0	0	2.4
0		3.1	3.1	2.6	3.1	3.1	3.1	0	0	2.4
10		3.1	3.1	3.1	3.1	3.1	2.6	0	0	2.4
20		3.1	3.1	3.1	3.1	2.6	3.1	0	0	2.4
VIDEO		3.1	3.1	2.6	3.1	3.1	3.1	0	0	2.4
L		3.1	3.1	2.6	3.1	3.1	3.1	0.2	0.1	2.2
R		3.1	3.1	2.6	3.1	3.1	3.1	0.2	0.1	2.2
A/B		3.1	3.1	3.1	2.6	3.1	3.1	0.2	0.1	2.2
TV		3.1	3.1	3.1	3.1	3.1	2.6	0	0	2.4
TEXT		3.1	3.1	3.1	3.1	2.6	3.1	0	0	2.4
		3.1	3.1	3.1	2.6	3.1	3.1	0	0	2.4
⏻		3.1	2.6	3.1	3.1	3.1	3.1	0.2	0.1	2.2
⏪+		3.1	2.6	3.1	3.1	3.1	3.1	0.2	0.1	2.2
⏪-		2.6	3.1	3.1	3.1	3.1	3.1	0.2	0.1	2.2
⏩+		3.1	2.6	3.1	3.1	3.1	3.1	0.2	0.1	2.2
⏩-		2.6	3.1	3.1	3.1	3.1	3.1	0.2	0.1	2.2
⏪		3.1	2.6	3.1	3.1	3.1	3.1	0.2	0.1	2.2
⏩		3.1	2.6	3.1	3.1	3.1	3.1	0.2	0.1	2.2
⏪		2.6	3.1	3.1	3.1	3.1	3.1	0.2	0.1	2.2
PROGR +		3.1	2.6	3.1	3.1	3.1	3.1	0.2	0.1	2.2
PROGR -		2.6	3.1	3.1	3.1	3.1	3.1	0.2	0.1	2.2
NORM		2.6	3.1	3.1	3.1	3.1	3.1	0	0	2.4
MIX		2.6	3.1	3.1	3.1	3.1	3.1	0	0	2.4
TEXT CL		3.1	2.6	3.1	3.1	3.1	3.1	0.2	0.1	2.2

- Voltages and waveform are for when **A/B** button is pressed.
- Voltages in ( ) are taken with button not pressed.
- All capacitors are in µF unless otherwise noted. pF : µµF  
50WV or less are not indicated except for electrolytics.
- All resistors are in Ohms, 1/4w unless otherwise noted.  
k : 1000Ω, M : 1000kΩ
- All variable and adjustable resistors have characteristic curve B, unless otherwise noted.

## VHF / UHF TUNER SCHEMATIC DIAGRAM

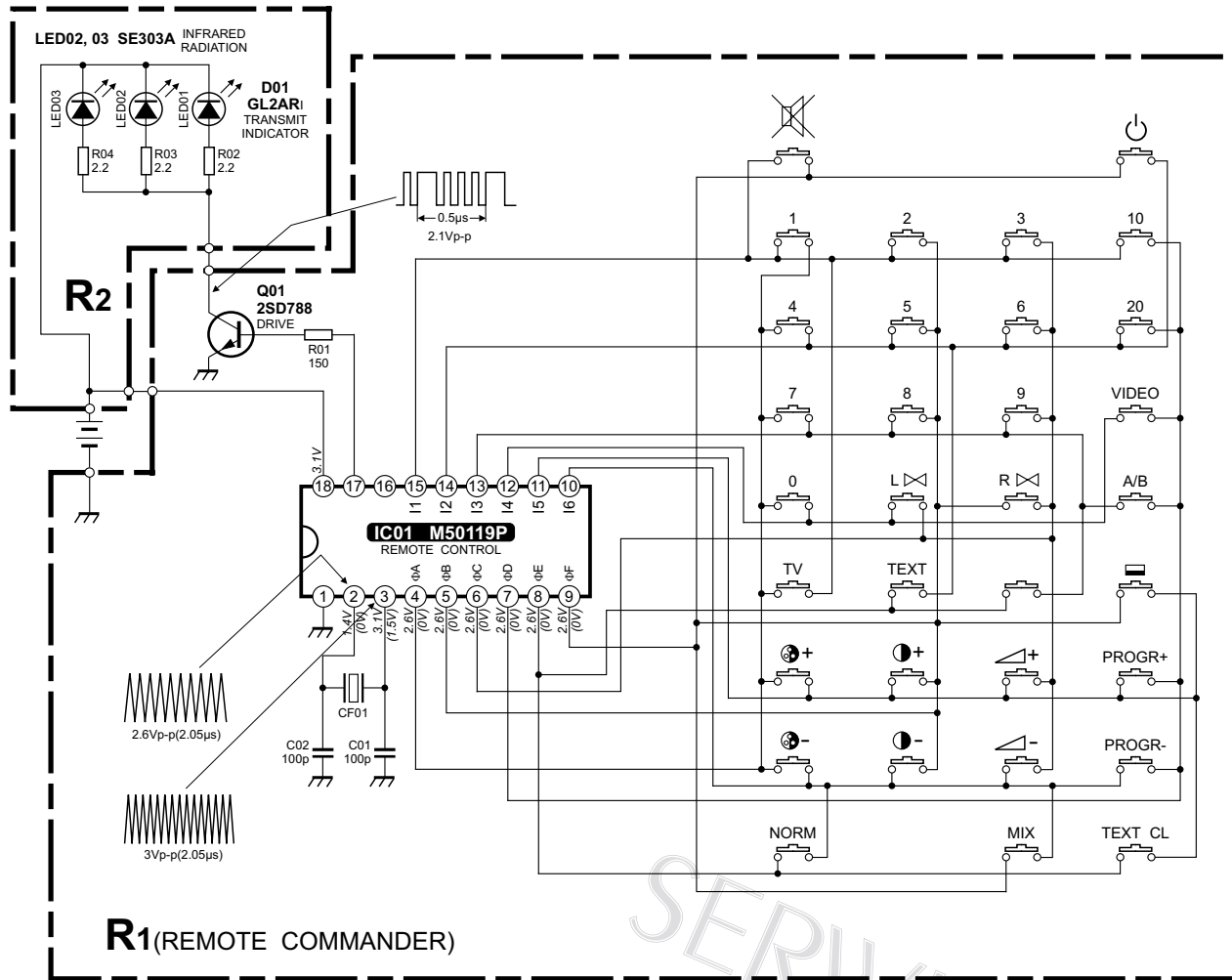
BT - 881



NOTE : Tuner reference numbers are not included in the Electrical Parts List.



# OTVC Sony KV2212E chassis YE2



IC PIN	I0	I1	I2	I3	I4	I5	I7	Q01 B	Q01 C
MODE	3.1	3.1	3.1	3.1	2.6	3.1	0	0	2.4
1	3.1	3.1	3.1	3.1	3.1	2.6	0	0	2.4
2	3.1	3.1	3.1	3.1	3.1	2.6	0	0	2.4
3	3.1	3.1	3.1	3.1	3.1	2.6	0	0	2.4
4	3.1	3.1	3.1	3.1	2.6	3.1	0	0	2.4
5	3.1	3.1	3.1	3.1	2.6	3.1	0	0	2.4
6	3.1	3.1	3.1	3.1	2.6	3.1	0	0	2.4
7	3.1	3.1	3.1	2.6	3.1	3.1	0	0	2.4
8	3.1	3.1	3.1	2.6	3.1	3.1	0	0	2.4
9	3.1	3.1	3.1	2.6	3.1	3.1	0	0	2.4
0	3.1	3.1	2.6	3.1	3.1	3.1	0	0	2.4
10	3.1	3.1	3.1	3.1	3.1	2.6	0	0	2.4
20	3.1	3.1	3.1	3.1	2.6	3.1	0	0	2.4
VIDEO	3.1	3.1	2.6	3.1	3.1	3.1	0	0	2.4
L	3.1	3.1	2.6	3.1	3.1	3.1	0.2	0.1	2.2
R	3.1	3.1	2.6	3.1	3.1	3.1	0.2	0.1	2.2
A/B	3.1	3.1	3.1	2.6	3.1	3.1	0.2	0.1	2.2
TV	3.1	3.1	3.1	3.1	3.1	2.6	0	0	2.4
TEXT	3.1	3.1	3.1	3.1	2.6	3.1	0	0	2.4
	3.1	3.1	3.1	2.6	3.1	3.1	0	0	2.4
PROGR+	3.1	2.6	3.1	3.1	3.1	3.1	0.2	0.1	2.2
PROGR-	2.6	3.1	3.1	3.1	3.1	3.1	0.2	0.1	2.2
	3.1	2.6	3.1	3.1	3.1	3.1	0.2	0.1	2.2
	2.6	3.1	3.1	3.1	3.1	3.1	0.2	0.1	2.2
	3.1	2.6	3.1	3.1	3.1	3.1	0.2	0.1	2.2
	2.6	3.1	3.1	3.1	3.1	3.1	0.2	0.1	2.2
PROGR +	3.1	2.6	3.1	3.1	3.1	3.1	0.2	0.1	2.2
PROGR -	2.6	3.1	3.1	3.1	3.1	3.1	0.2	0.1	2.2
NORM	2.6	3.1	3.1	3.1	3.1	3.1	0	0	2.4
MIX	2.6	3.1	3.1	3.1	3.1	3.1	0	0	2.4
TEXT CL	3.1	2.6	3.1	3.1	3.1	3.1	0.2	0.1	2.2

- Voltages and waveform are for when [A/B] button is pressed.
- Voltages in ( ) are taken with button not pressed.
- All capacitors are in  $\mu\text{F}$  unless otherwise noted.  $\text{pF}$ :  $\mu\text{pF}$  50WV or less are not indicated except for electrolytics.
- All resistors are in Ohms, 1/4w unless otherwise noted. k: 1000 $\Omega$ , M: 1000k $\Omega$
- All variable and adjustable resistors have characteristic curve B, unless otherwise noted.

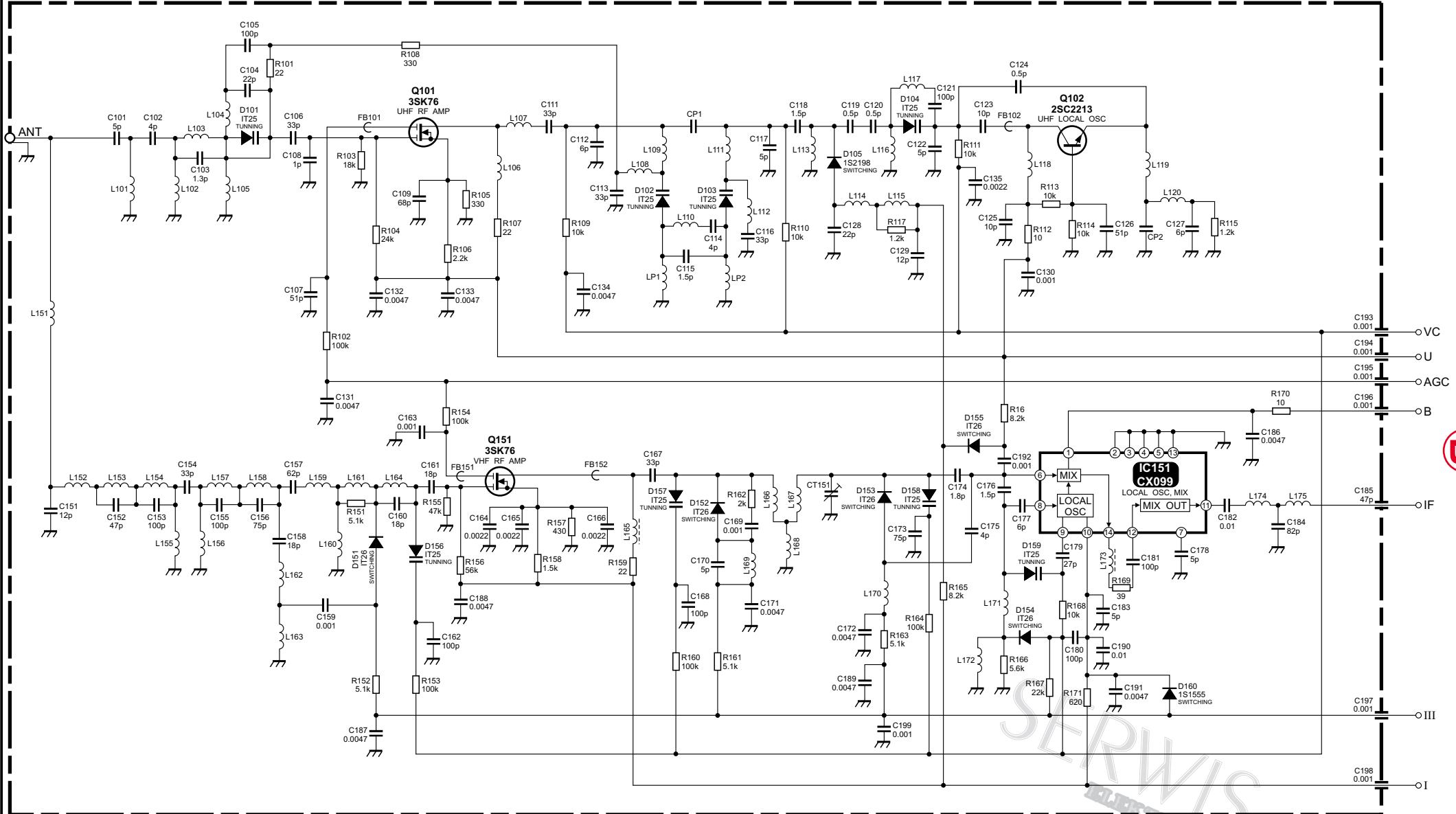
SERWIS  
ELEKTRONIKI





# VHF / UHF TUNER SCHEMATIC DIAGRAM

BT - 881



**NOTE :** Tuner reference numbers are not included in the Electrical Parts List.



ERWISOWYCH  
ELEKTRONIKI